

### Application:

- For measuring vibration
- Predictive maintenance

### Properties:

- Industrial Bluetooth communication
- Wide frequency range
- 0-1600Hz, 0-800Hz, 0-400Hz, 0-200Hz, 0-100Hz and 1-50Hz
- 128 Bin FFT output
- Vibration g range selectable from  $\pm 2g$  to  $\pm 16g$
- Measures in three directions, X, Y and Z
- Ambient temperature min/max:  $-40/+85^{\circ}\text{C}$
- Build-in intelligent alarmsystem
- Plug and Play solution
- User friendly software



7700-E17062020V4

### ELECTRICAL SPECIFICATIONS:

#### Supply:

10-28 VDC

#### Output:

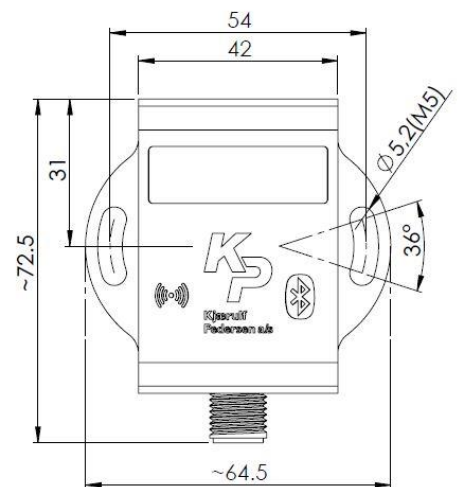
Proprietary protocol on industrial Bluetooth  
PNP and NPN alarm signals

#### Connection: M12

Others on request depending on quantity

### FUNCTIONALITY:

The sensor is built for measuring vibrations  
The main components of the sensor are an accelerometer for vibration measurement and a DSP processor for data processing.  
Data output is a 128 Bin FFT array



### ENVIRONMENTAL:

#### Temperatures:

Temperature on electronics:  $-40^{\circ}\text{C}$  to  $85^{\circ}\text{C}$

#### EMC:

Emission: Domestic, EN 61000-6-3

Immunity: Industrial, EN 61000-6-2